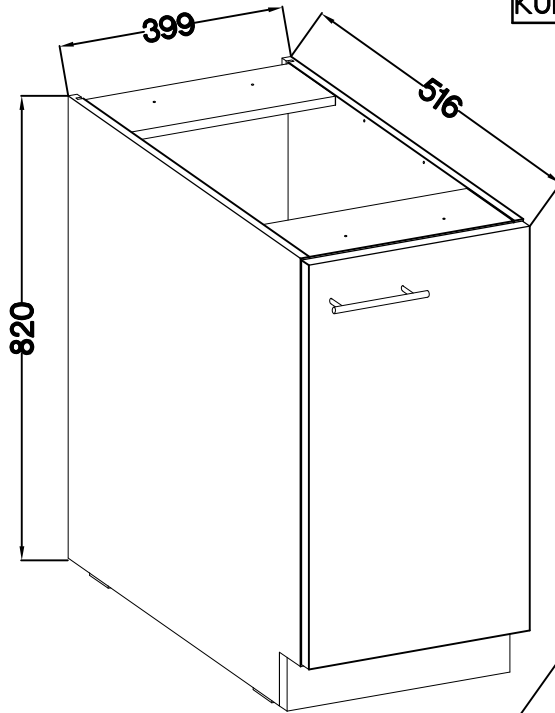


40 D 1F BB
 40 G-72 1F
 58x58 GN-72 1F
 FRONT

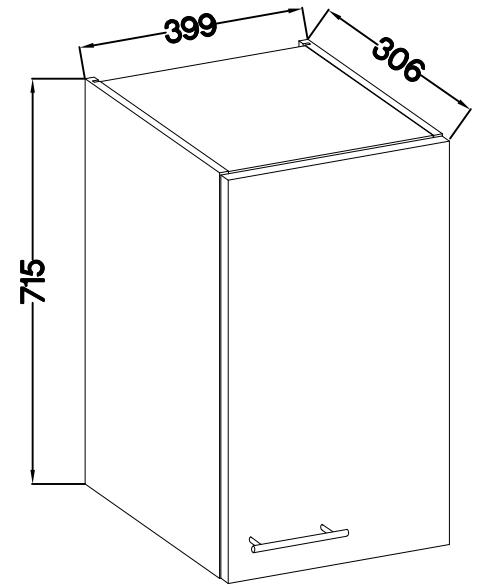


40 D 1F BB

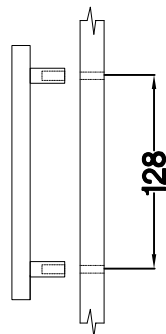
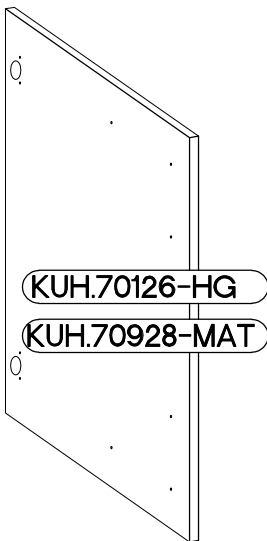
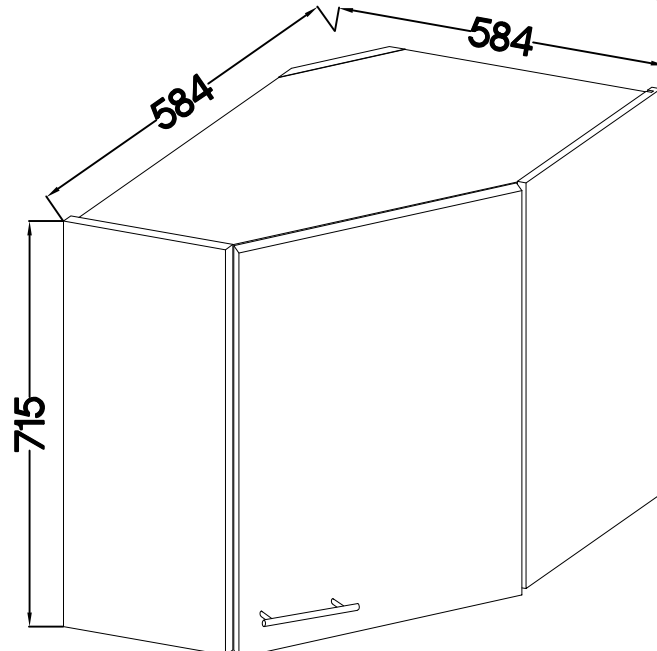


Ersatzteil Nummer	Dimension
KUH.70126-HG	713x396x16
KUH.70928-MAT	

40 G-72 1F



58x58 GN-72 1F



M4x22mm	L=128mm
2	1

ISM-KUH-01636

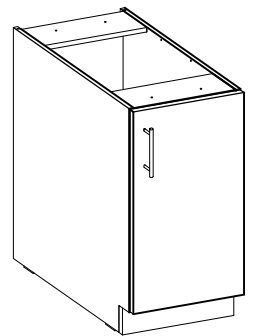
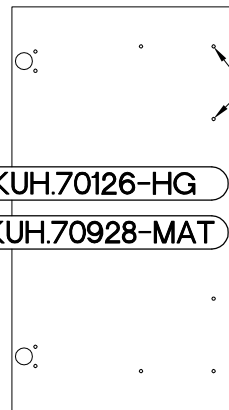
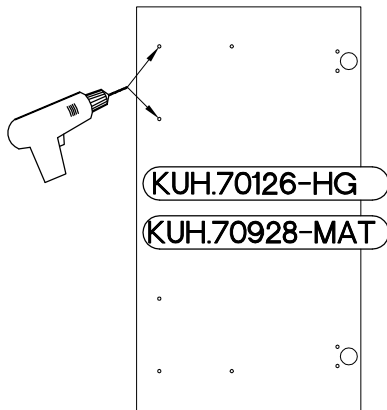
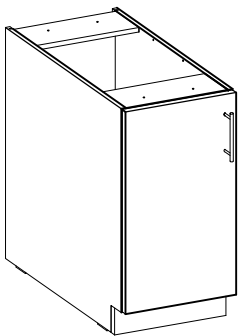
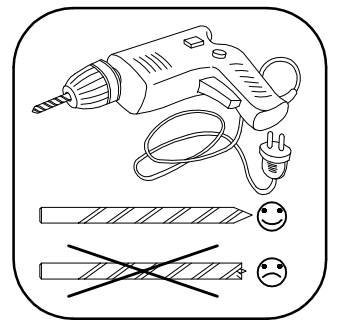
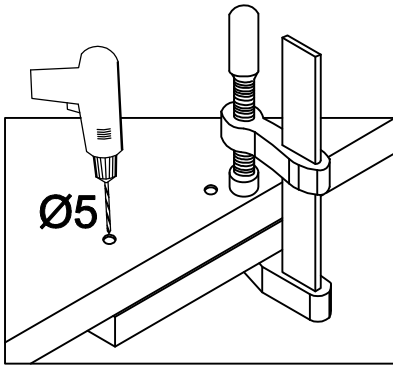
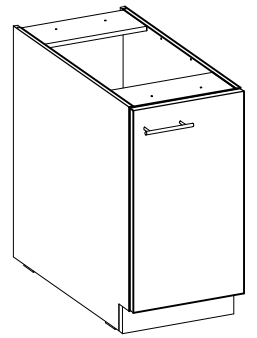
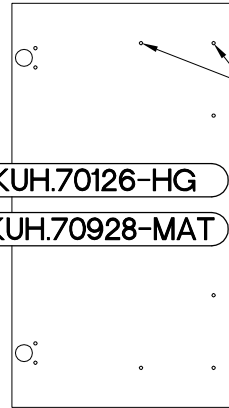
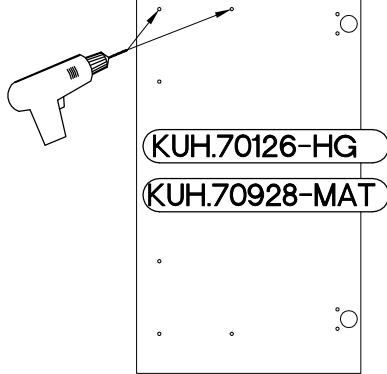
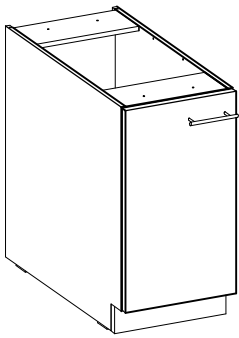
1 40 D 1F BB



LEFT

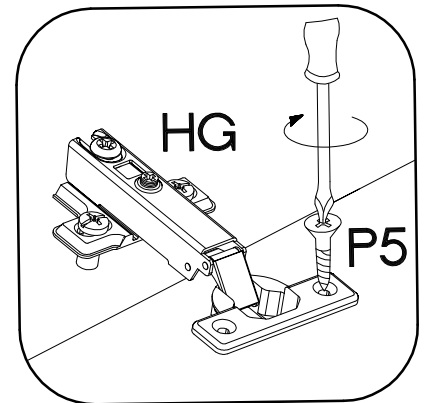
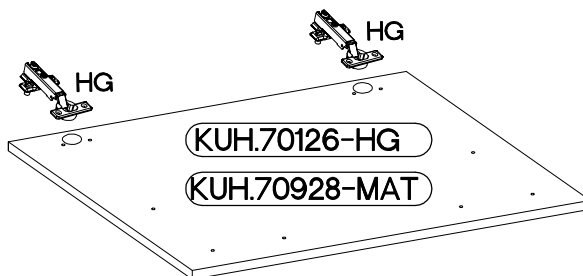


RIGHT





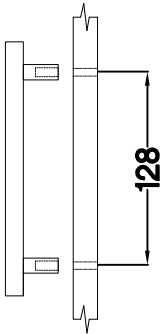
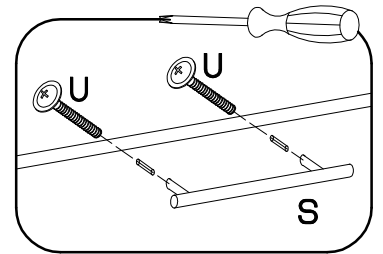
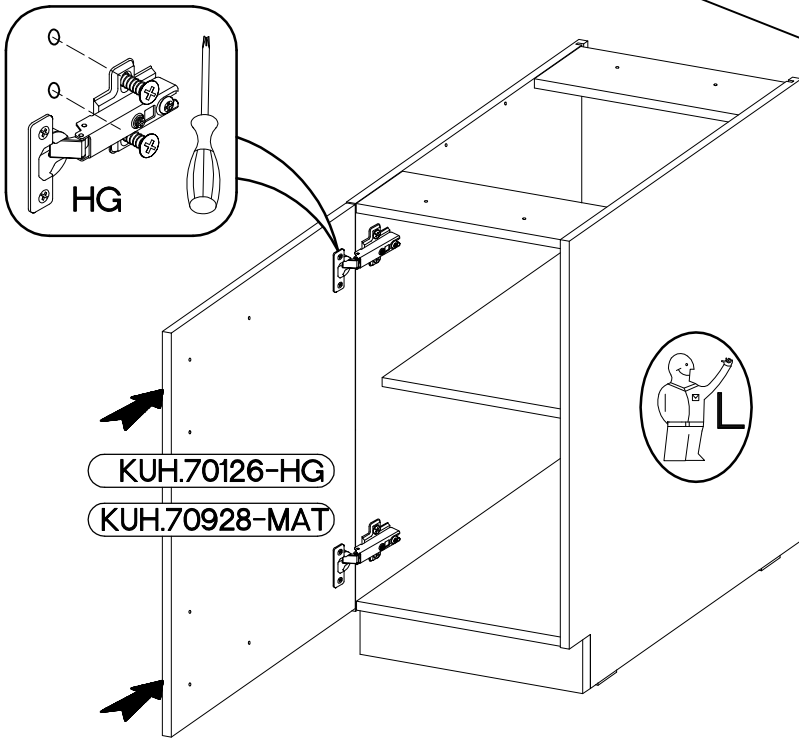
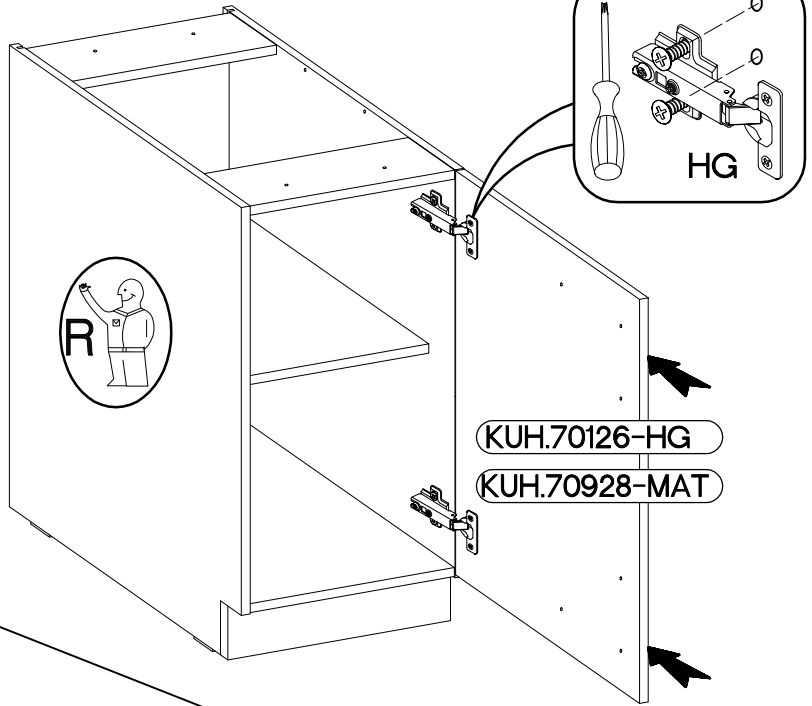
2

 †35/0mm [CD] HG 2	 †3.5x13mm P5 4
-----------------------------	--------------------------

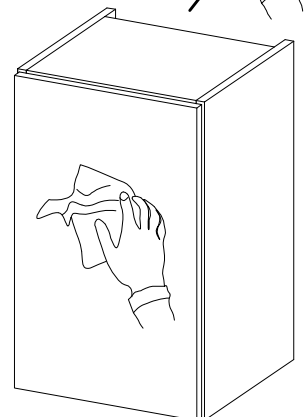
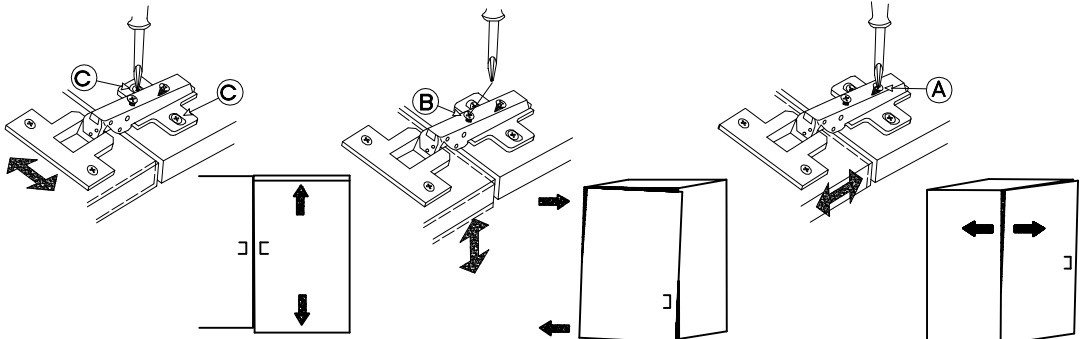
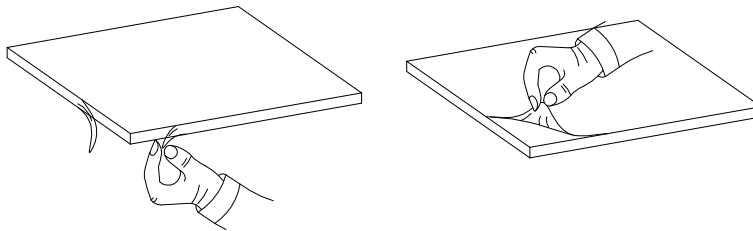


3

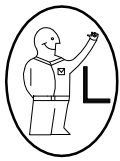
M4x22mm	L=128mm
	
U	S
2	1



VARIANT HIGH GLOSS



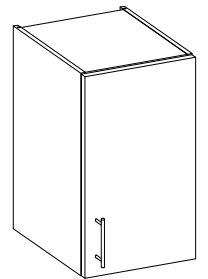
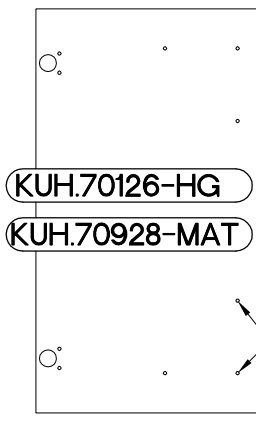
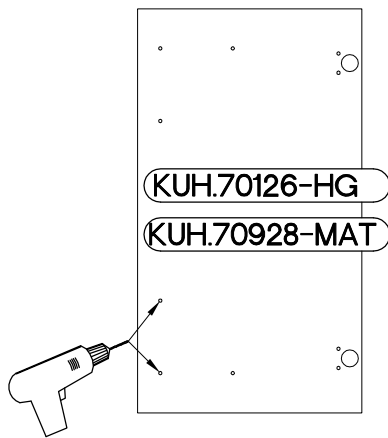
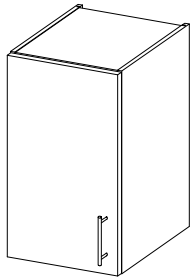
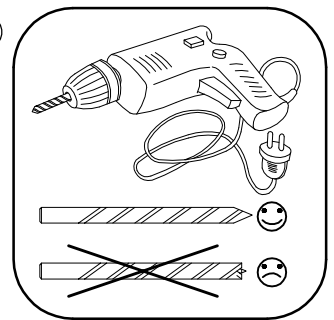
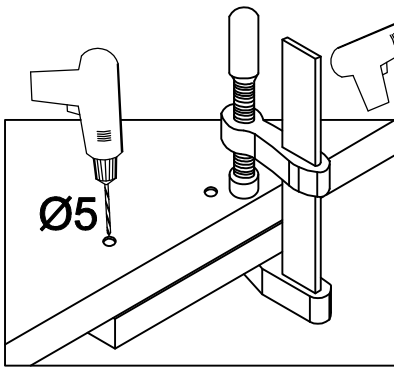
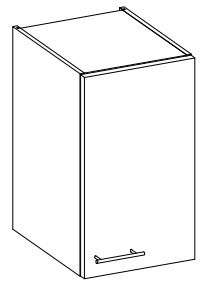
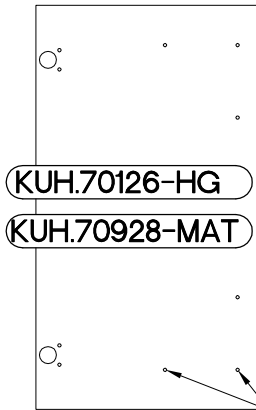
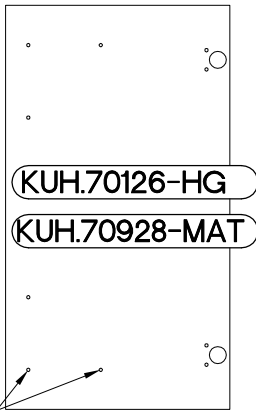
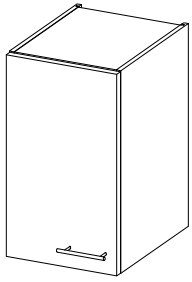
4 40 G-72 1F





LEFT

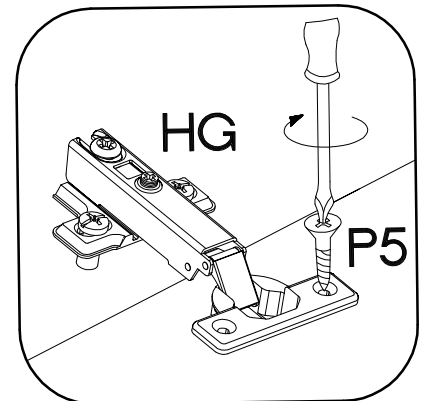
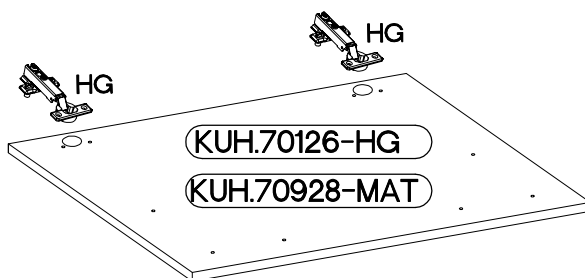


RIGHT





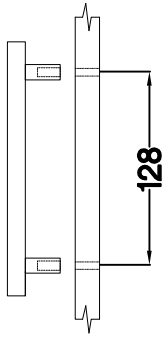
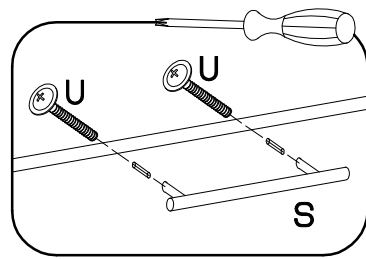
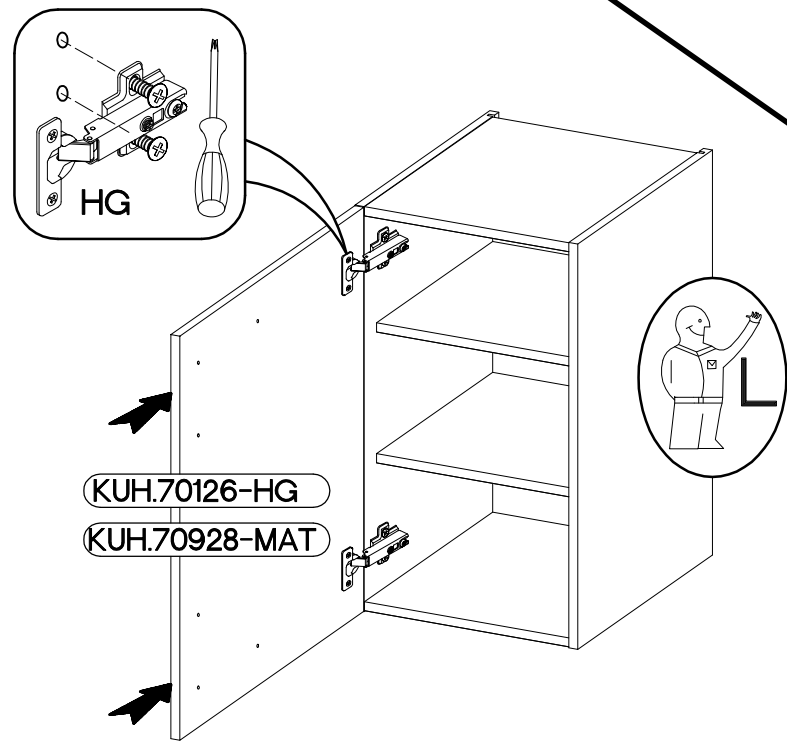
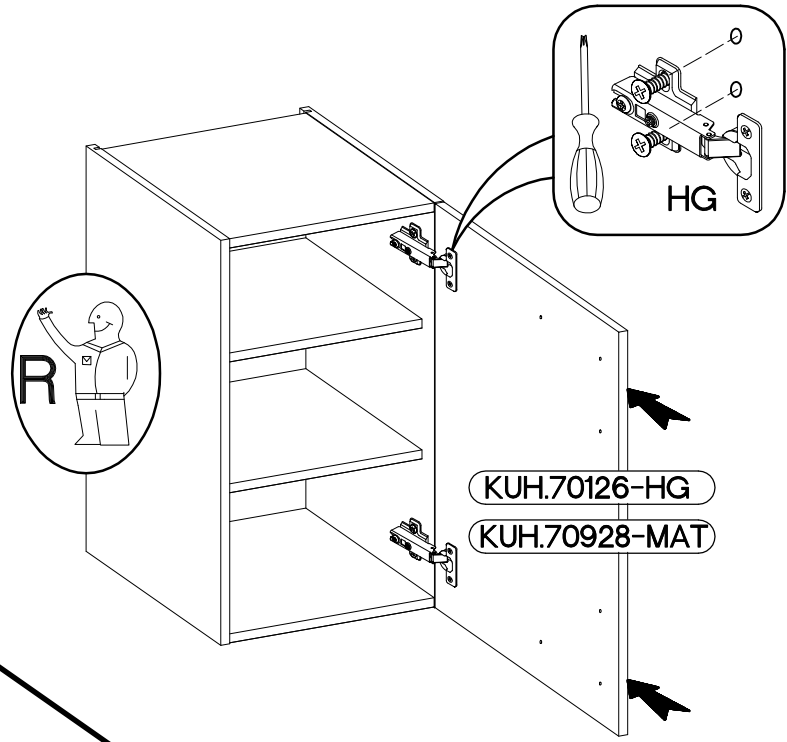
5

 †35/0mm [CD] HG 2	 †3.5x13mm P5 4
--	---

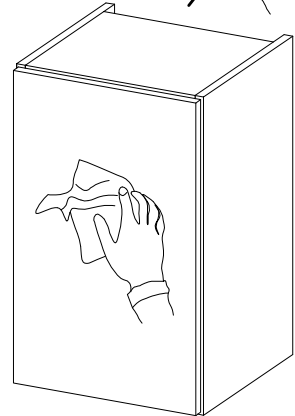
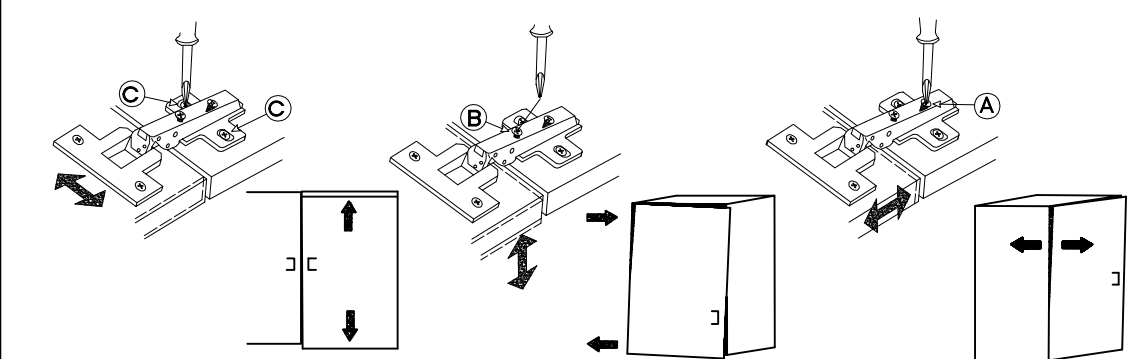
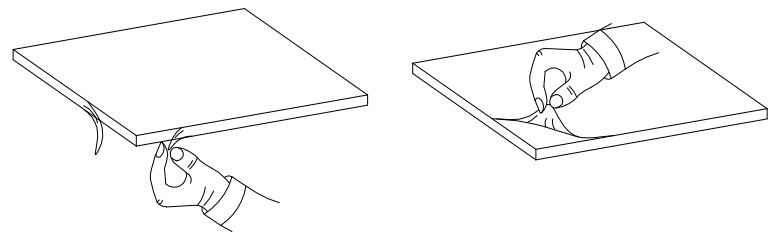


6

M4x22mm	L=128mm
	
U	S
2	1



VARIANT HIGH GLOSS

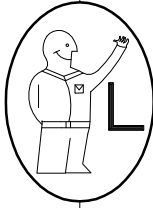
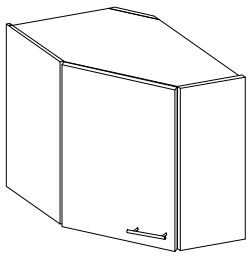


7

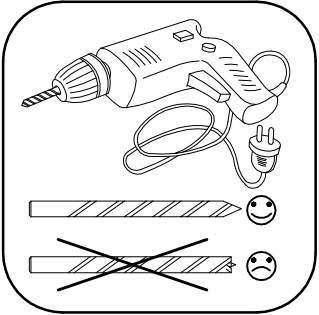
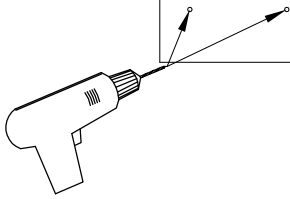
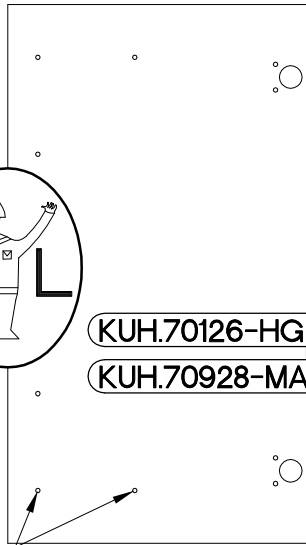
58x58 GN-72 1F

LEFT

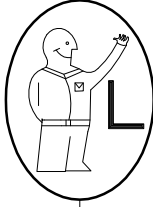
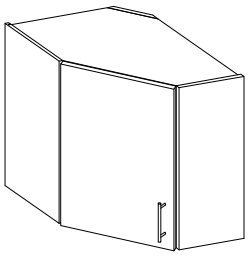
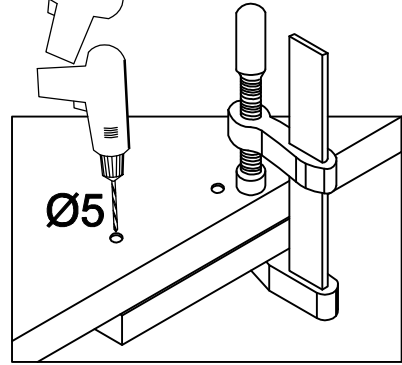
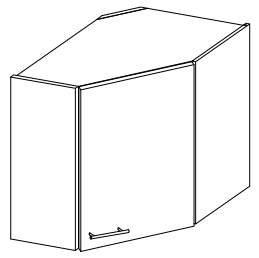
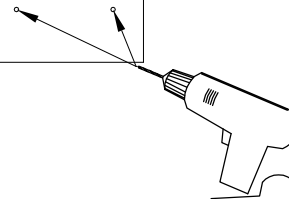
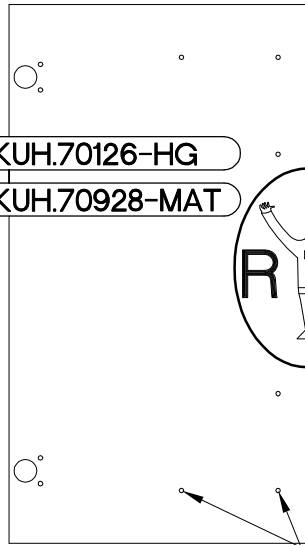
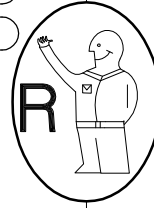
RIGHT



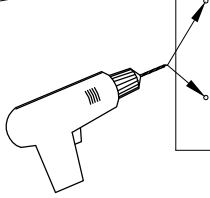
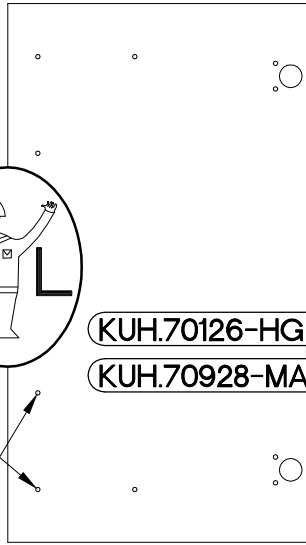
KUH.70126-HG
KUH.70928-MAT



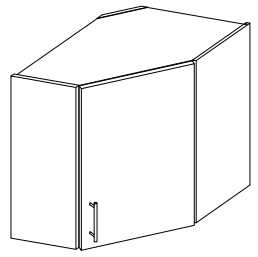
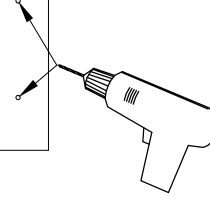
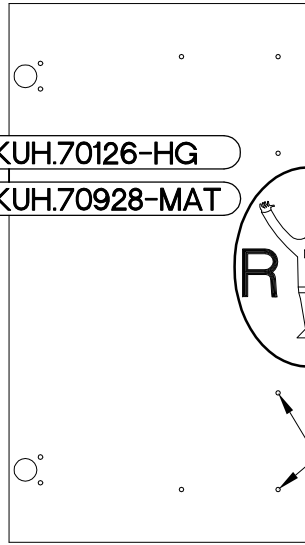
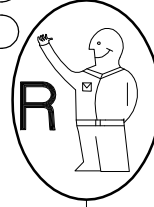
KUH.70126-HG
KUH.70928-MAT



KUH.70126-HG
KUH.70928-MAT

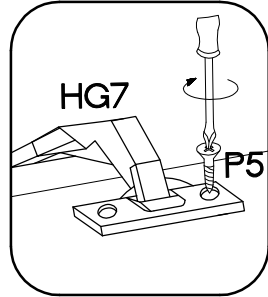
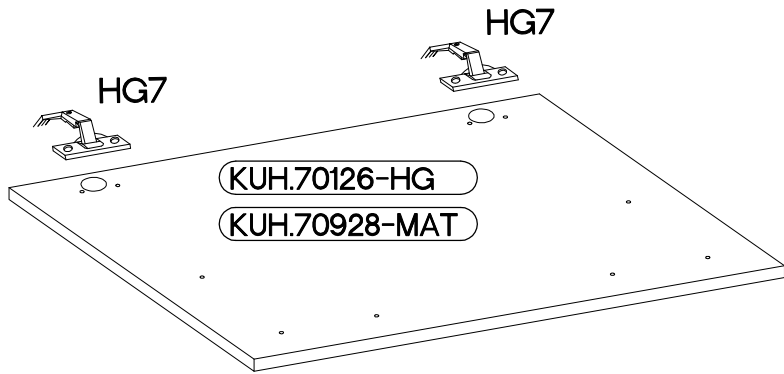


KUH.70126-HG
KUH.70928-MAT


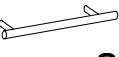


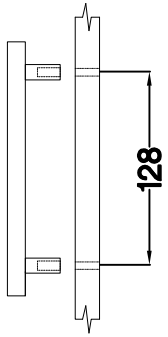
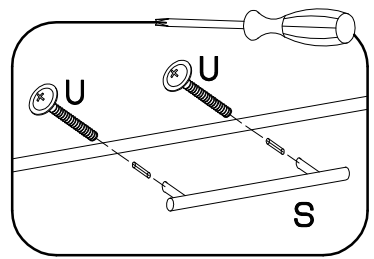
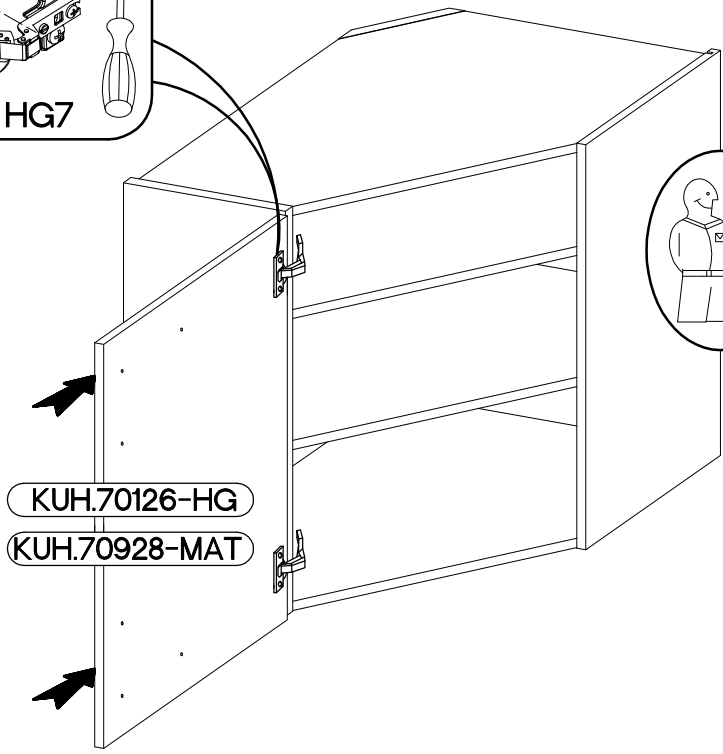
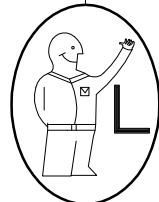
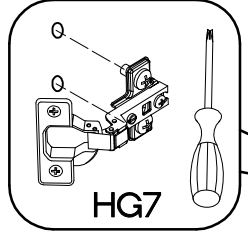
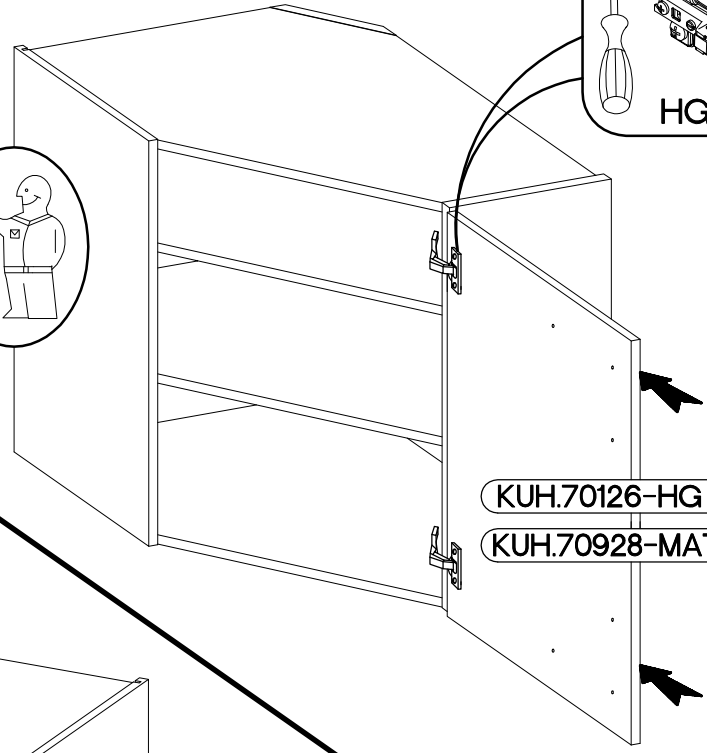
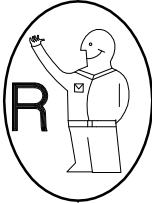
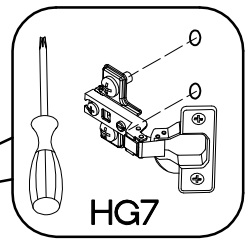
8

$\pm 35/45^\circ$ H=0	$\pm 3.5 \times 13 \text{mm}$
(CD) HG7	P5
2	4



9

M4x22mm	L=128mm
	
U	S
2	1



VARIANT HIGH GLOSS

